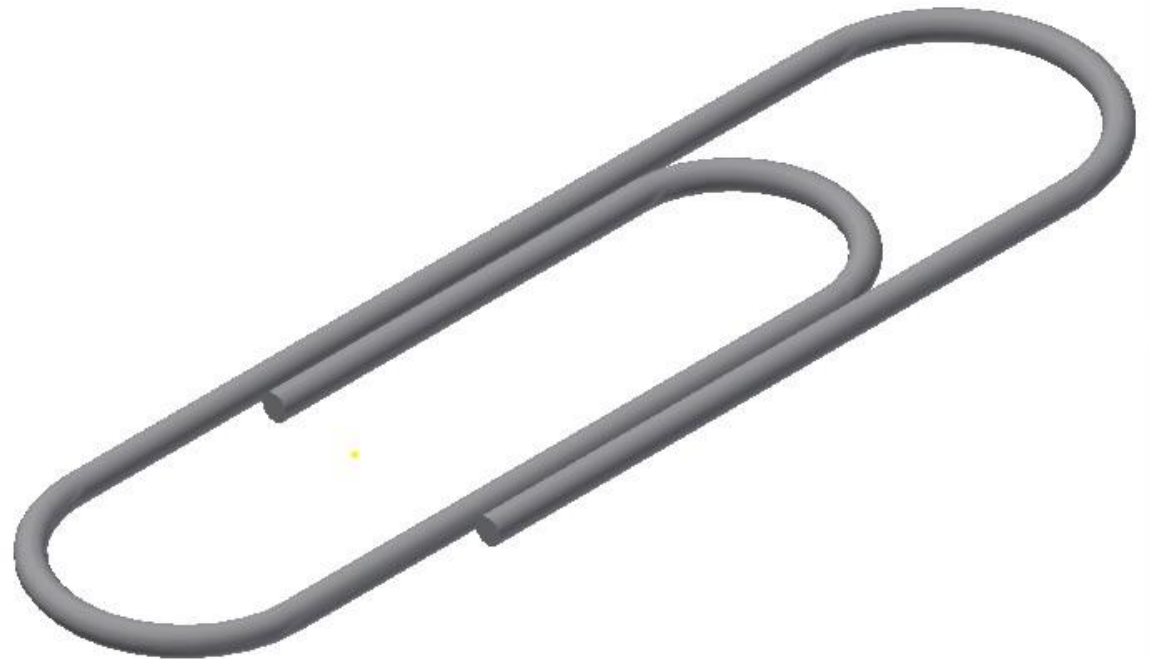

LESION 4 SWEEP LAB 03 (PAPER CLIP)

IDE 3301 CAID

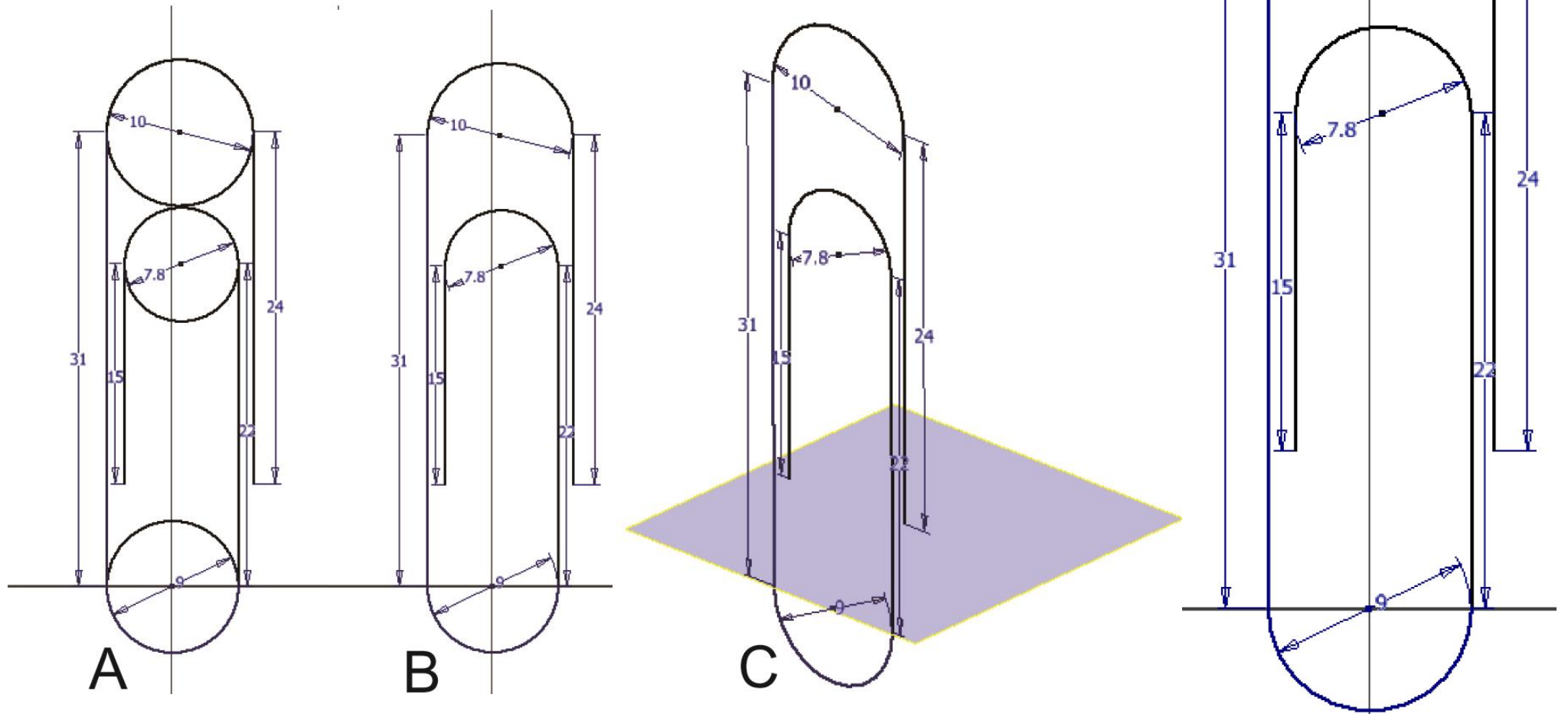
DR. PALANG WONGTANASUPORN

LECTURE 6

**Paper Clip
Step by step
reveal**

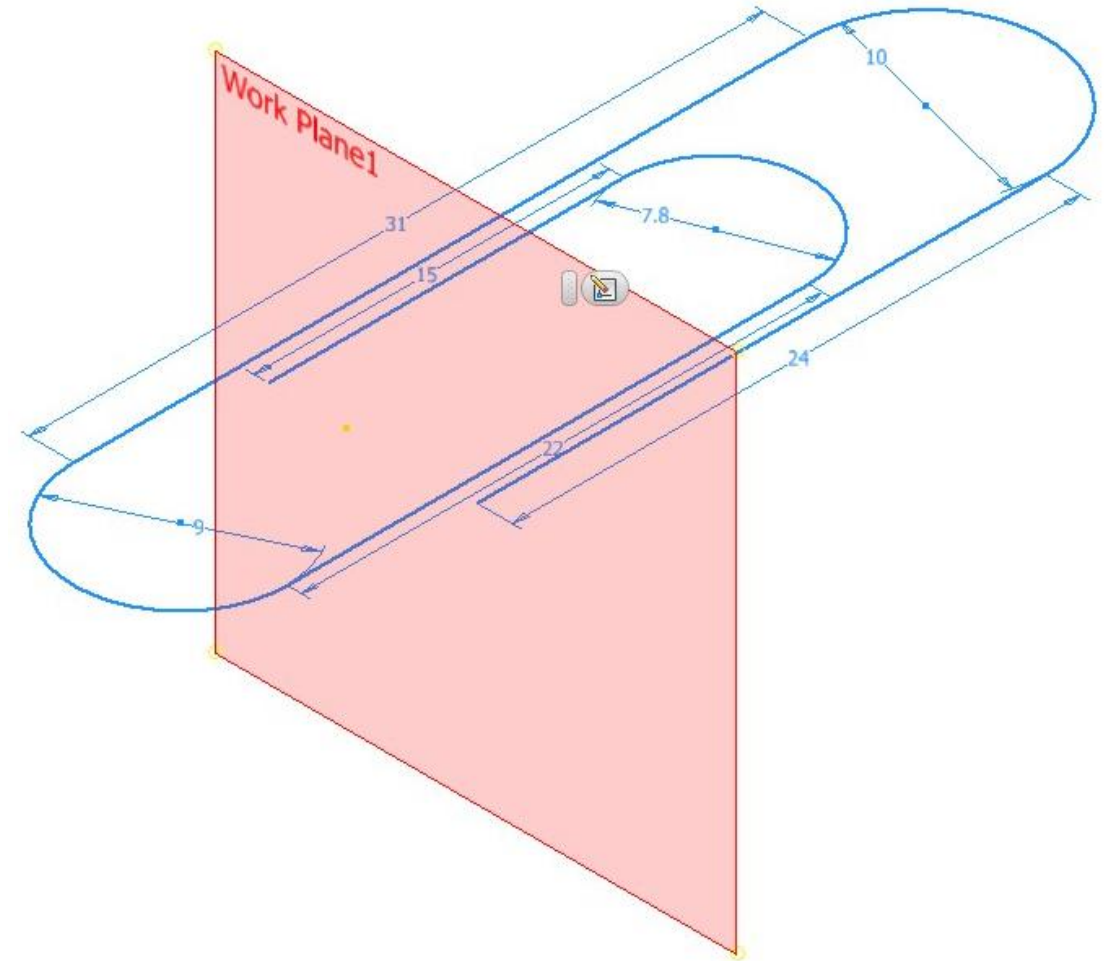


PHASE I PREPARING SKETCH



PHASE 2 CREATE A WORK PLANE

- Step1 On XY plane draw a path for sweep
- Step2 Click command **plane** in **Work feature** tab
- Step3 Create a new plane by parallel to plain through point
- Step4 Create a \varnothing 1 mm circle on the work plane, make sure that center of the circle is un the same point of ending line of the first profile



PHASE 3 SWEEP OPERATION

- Step1 Click command **Sweep** in **Create** tab
- Step2 Select the first drawing as Path and select circle as profile
- Step3 Click OK

